

## TEMPLATE KEY

### FINISHED SIZE

See Banner Sizes Below

### SAFE AREA

3.5" from finished edge

— = PIN SLOT

Using PMS colors in your art is recommended but an exact match cannot be guaranteed.

BANNER A: 26.75"W x 28.5"H

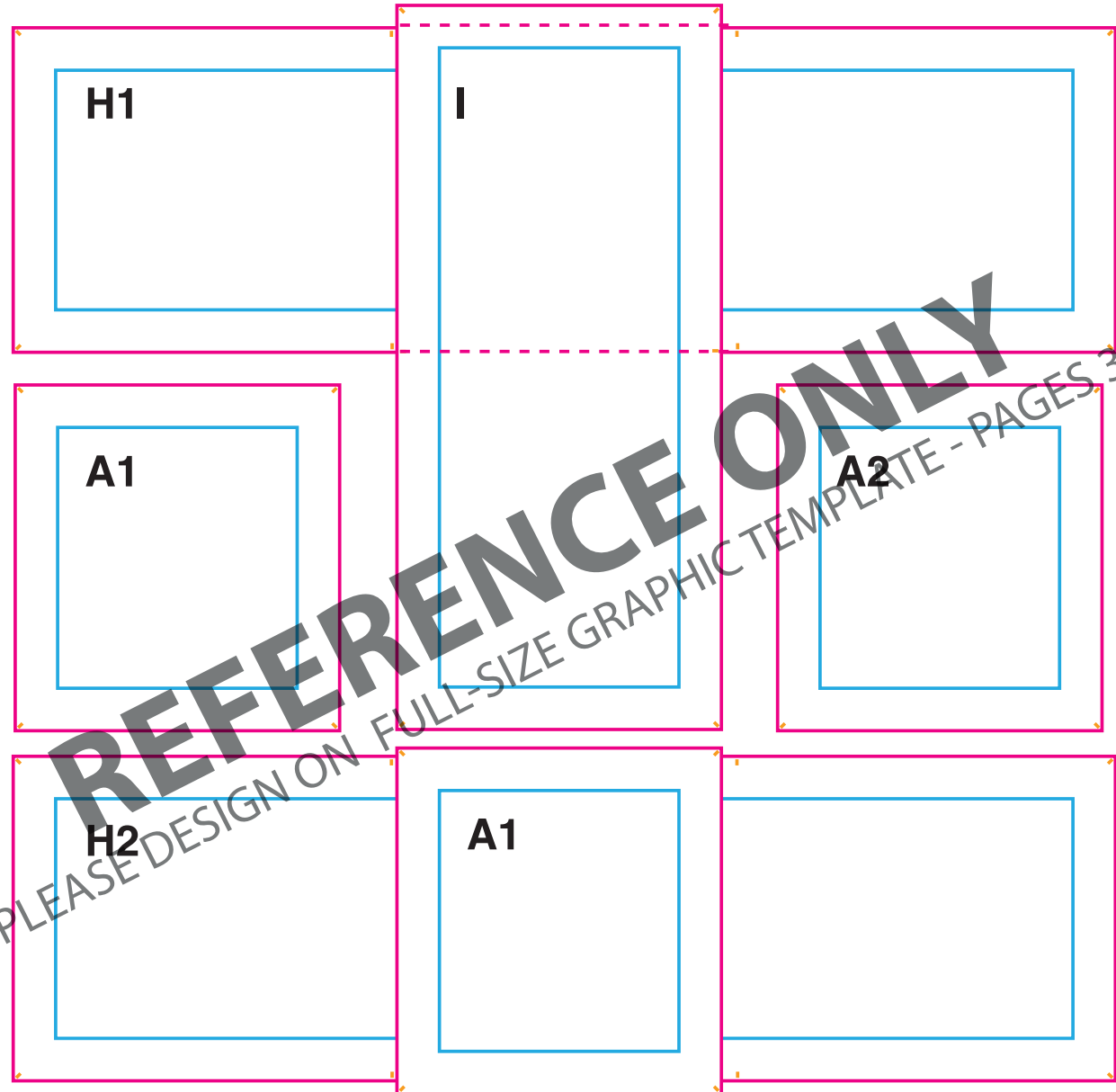
QTY: 3

BANNER H: 90.875"W x 26.75"H

QTY: 2

BANNER I: 26.75"W x 59.688"H

QTY: 1



### IMPORTANT NOTE:

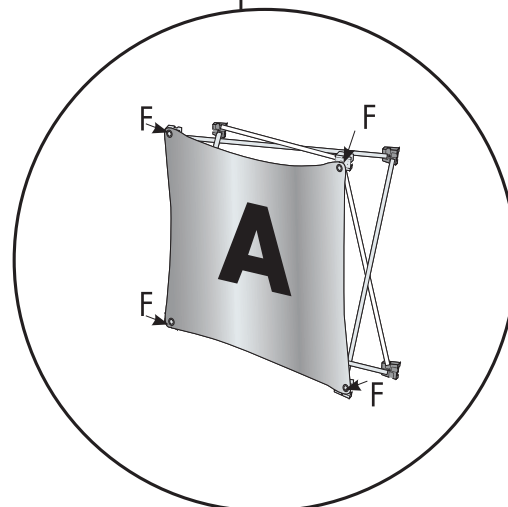
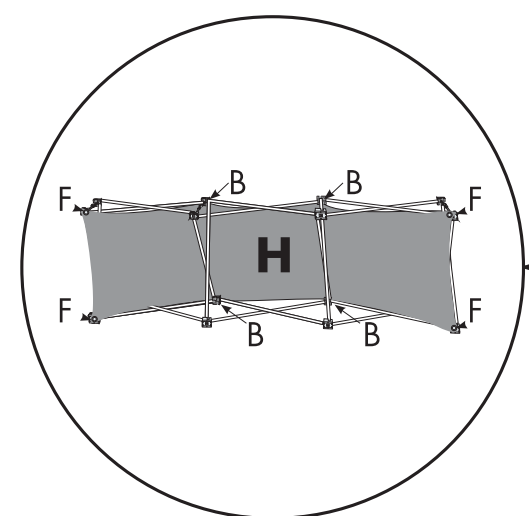
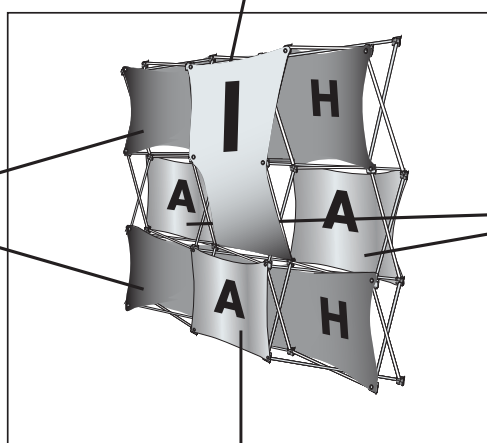
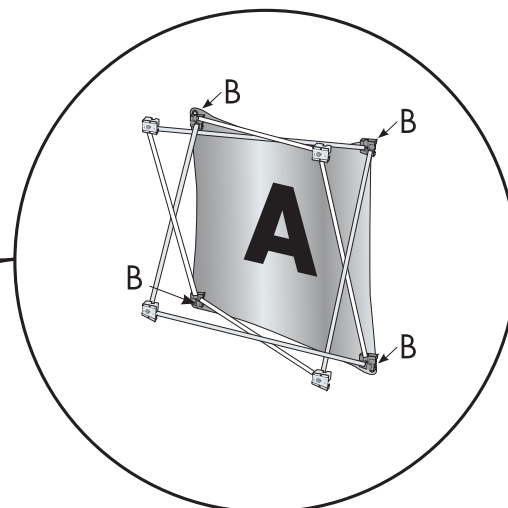
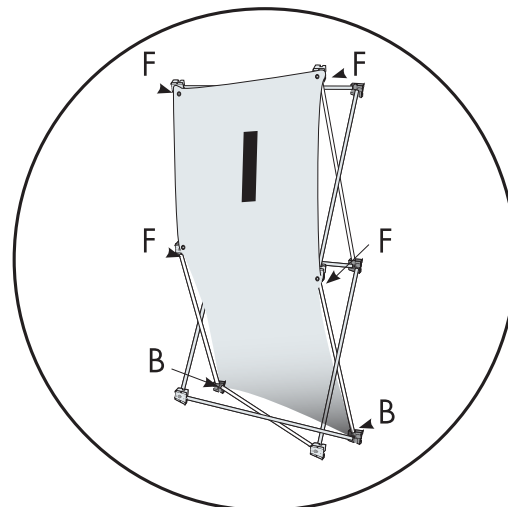
- THIS TEMPLATE SHOWS PRINT LAYOUT ONLY.
- EACH BANNER HAS ITS OWN UNIQUE ANGLE AND STRETCH WHEN ATTACHED TO THE FRAME.
- IT IS HIGHLY RECOMMENDED TO KEEP TEXT AND LOGOS WITHIN THE SAFE AREA TO AVOID DISTORTION.

SEE PAGE 2 FOR REPRESENTATION  
OF POSITION ON FRAME

EACH BANNER IS FABRICATED  
TO FIT A SPECIFIC ANGLE/POSI-  
TION ON THE FRAME.

B=BACK  
F=FRONT

Item# 337130, 337120, 337110



## Banner A

**PLEASE DELETE THIS LAYER  
BEFORE SAVING**

**All images must be embedded  
All fonts must be outlined**

**Submit 3 Art Files  
labeled A1-A3**

**FINISHED AREA - 26.75"W x 28.5"H**

VISIBLE WHEN DISPLAYED

**SAFE AREA - 19.75"W x 21.5"H**

KEEP IMPORTANT TEXT/LOGOS WITHIN THIS AREA

**PLEASE DELETE THIS LAYER  
BEFORE SAVING**

**All images must be embedded  
All fonts must be outlined**

**Submit 2 Art Files  
labeled H1 & H2**

**FINISHED AREA - 26.75"W x 90.875"H**

VISIBLE WHEN DISPLAYED

**SAFE AREA - 19.75"W x 83.875"H**

KEEP IMPORTANT TEXT/LOGOS WITHIN THIS AREA

**PLEASE DELETE THIS LAYER  
BEFORE SAVING**

**All images must be embedded  
All fonts must be outlined**

**FINISHED AREA - 26.75"W x 59.688"H**

VISIBLE WHEN DISPLAYED

**SAFE AREA - 19.75"W x 52.688"H**

KEEP IMPORTANT TEXT/LOGOS WITHIN THIS AREA