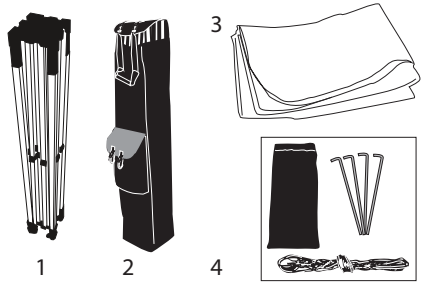


10' x 10' Standard, Deluxe, Premium, Elite, Gable, Economy

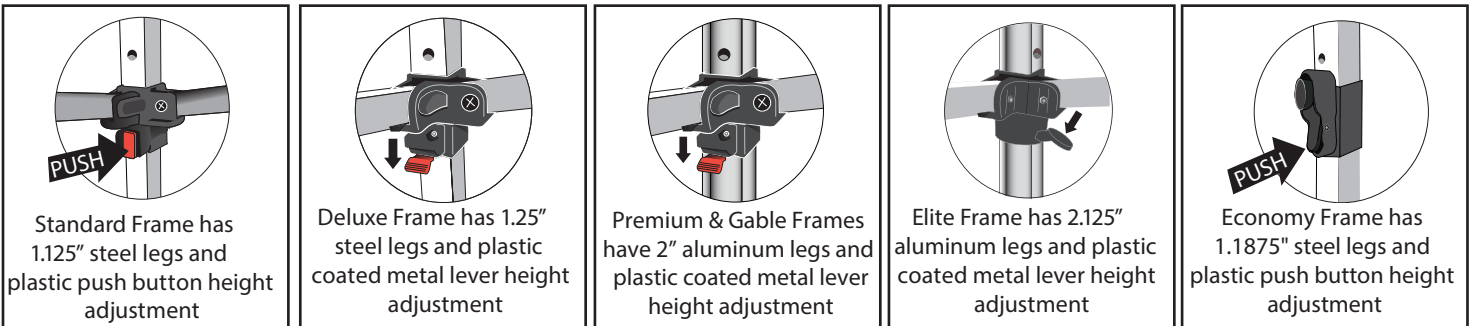
Product Parts

- 1- Frame
- 2- Soft Case with Wheels*
- 3- Canopy
- 4- Stake Kit

*Soft case NOT Included with Economy Tent Kits but is Included in Economy Plus Tent Kits



NOTE: Standard, Deluxe, Premium, Gable, Elite and Economy Tent Frames have same set up instructions. However, unlocking the height adjustment depends on the frame. See below:

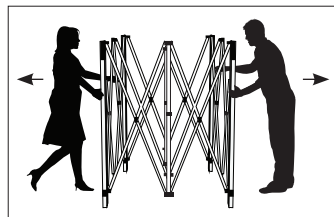


Set-Up

Step 1

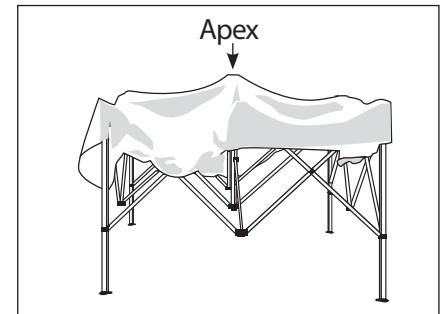
Place Frame (1) at your desired location.

In tandem with another person, separate the legs of the Frame (1) until they are extended a full arms length.



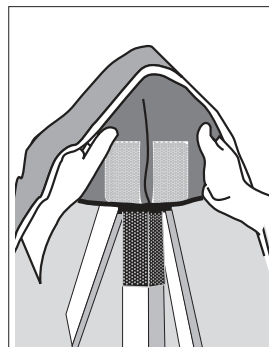
Step 2

Unfold your Canopy (3) and drape over the Frame (1). Position the apex of the Canopy (3) with the center pole of the Frame (1).



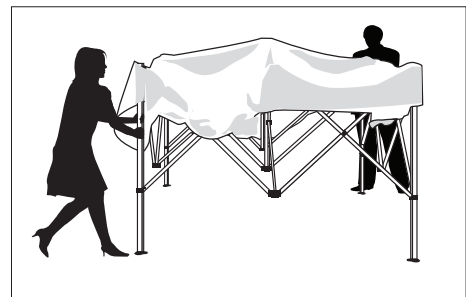
Step 3

Attach the Canopy (3) by connecting the loop strips on the Canopy (3) corners with the hook strips on the four legs of the Frame (1).



Step 4

Stand diagonal to each other, lift and separate the legs of the Frame (1). The Frame (1) will open a little at a time so alternate ends until the Frame (1) no longer expands.

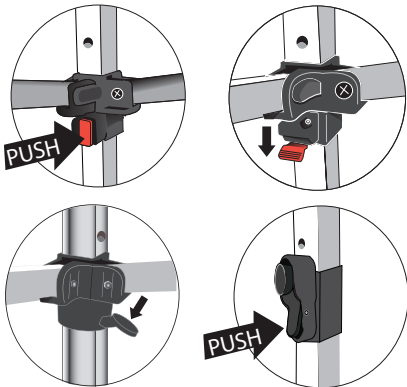
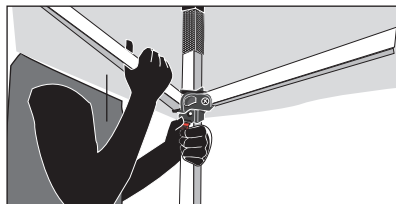


DO NOT DRAG FRAME-THIS COULD BEND THE LEGS

Set-Up Continued...

Step 5

With top lever or button in the unlock position, lift the framework upwards until it locks into place on the legs of the Frame (1).



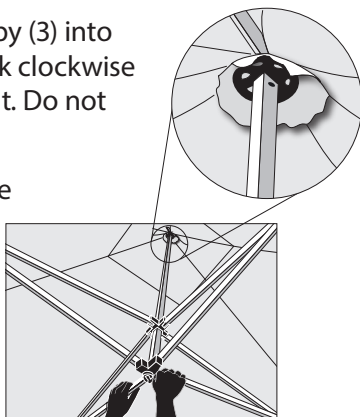
Push down lever or Push in button
(method depends on the frame)

Step 7

Lift the apex of the Canopy (3) into place by turning the crank clockwise until the Canopy (3) is taut. Do not over-crank.

*Elite and Economy Frame do not have a crank.

* Gable Frame
10' x 10' has 3 cranks



Step 6

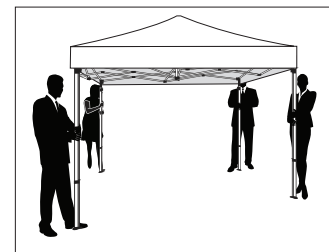
Place your foot on the base of the tent leg as you release and extend the telescoping legs. Raise the tent to your desired height and lock the legs into place.



Place your foot on
the base as you lift

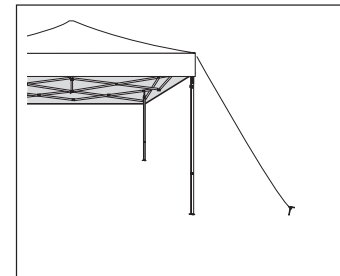
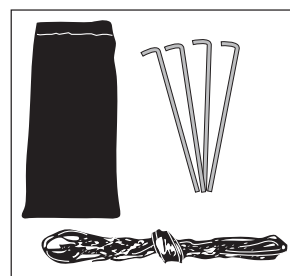
NOTE:

To move an assembled frame, make sure a person is located at each leg. Lift and transport carefully in unison.



Secure with Stakes

Secure by looping rope through the "D" ring located on each corner of the canopy.



***FRAME MUST BE SECURED DOWN TO PREVENT WIND FROM LIFTING TENT AND CAUSING DAMAGE. NOT SECURING TENT PROPERLY VOIDS THE WARRANTY.**

Storage

KITS

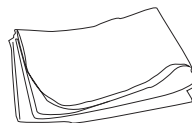
Remove Canopy (3) from Frame (1) and collapse. Store collapsed Frame (1) in soft case (provided)

*Soft case NOT Included with

Economy Tent Kits but is Included in Economy Plus Tent Kits
Optional: Hard Case item # 220150 (Not Included)

Store in a cool dry location.

To clean, wipe with damp cloth.



Soft Case 220079
included with Kits only.

*Soft case NOT Included with
Economy Tent Kits but is
Included in Economy Plus Tent Kits

MAKE SURE TO TAKE SPECIAL CARE TO NOT DRAG THE FRAME WHEN SETTING UP OR TAKING DOWN.

We recommend using weight bags or stake kits in all environments. While stakes are ideal to keep your tent secure during all outdoor use, our Sandbag Ballast Kit holds up to 20.6 lbs of sand per ballast and can be easily attached to your tent for additional stability. Additional securing options are available: Steel Tent Leg Ballast Weight (Weighs 12 lbs., NOT compatible with our Elite Tent leg, sold individually). Square Plastic Water Weight (Weighs 22 lbs. when filled with water, NOT compatible with our Elite Tent leg, sold individually).