

Sleek Exhibitor Display Attachment Kit

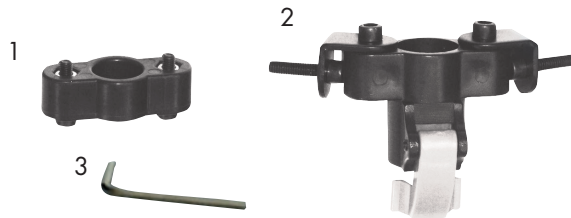
254006

Scan to view Product Instructional Video or visit:
www.creativedisplaysite.com/sleekkit.html



Product Parts

- 1 - Top Pole Connector
- 2 - Bottom Pole Connector
- 3 - Hex Wrench



Display Set-Up

Step 1

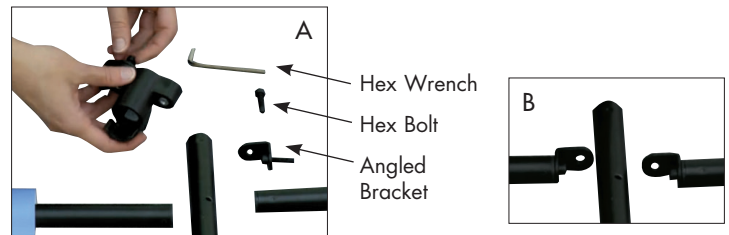
After assembling two Sleek Exhibitor Displays, position them beside each other on the floor, graphic side down, and the feet removed. Place only one vertical telescoping pole between the displays - your connectors will be installed on to this pole.



Step 2

(A) Remove the angled brackets and hex bolts from the Bottom Pole Connector (2) (the bottom connector is identified by having a hinged lock).

(B) Thread the angled brackets and hex bolts into both lower horizontal poles. Position the angled bracket with the horizontal facet oriented towards the bottom of the display and fully tighten with a hex wrench.



Step 3

Position the Bottom Pole Connector (2) so that the longest section of its T configuration is oriented towards the top of the display. With the lock loosened, slide it on the center vertical telescoping pole. Once at your desired height, lock into place by closing the lock arm.



Step 4

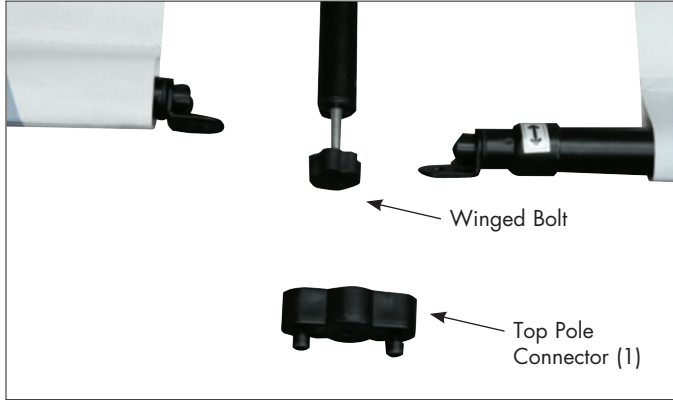
Reconnect the angled brackets to the Bottom Pole Connector (2) by inserting the hex bolts and fully tightening with the hex wrench.



Display Set-Up Continued...

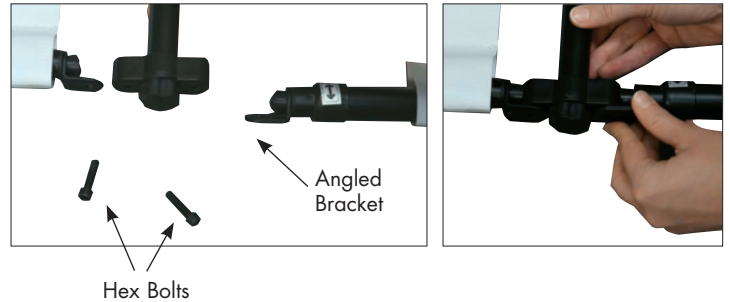
Step 5

Remove the winged bolt from the top of the vertical telescoping pole and insert the pole into the Top Pole Connector (1). Fasten into place by fully threading the knobbed fastener back into to the vertical telescoping pole.



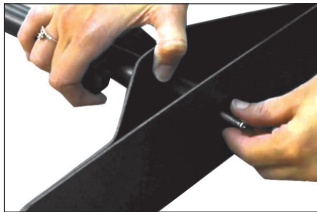
Step 6

Remove both hex bolts from the Top Pole Connector (1) and connect the upper horizontal bar's angled brackets to the Top Pole Connector (1) by inserting the hex bolts through the angled brackets and fully threading them back into the Top Pole Connector (1) with a hex wrench.



Step 7

Once the connectors have been installed to the display unit - install the three feet on to the display (refer to step 4 on the Sleek Exhibitor Display's instruction sheet on how to attach feet).



Step 8

With another person, lift the display unit into the upright position. Once set, your Sleek Exhibitor Connectors will provide you a full range of orientation and display configurations.



Storage

Place all product parts into Carry Case and store in a cool dry location.



Care

To clean, wipe with damp cloth.

Warranty Information: All products are designed to provide the user with a cost-effective and durable product. Standard warranty is a 'one year parts and labor' warranty which warrants product against defects in material and workmanship. It does not cover damage due to accidents, abuse, or normal wear and tear. Products found to be defective will be replaced or repaired at factory's discretion.