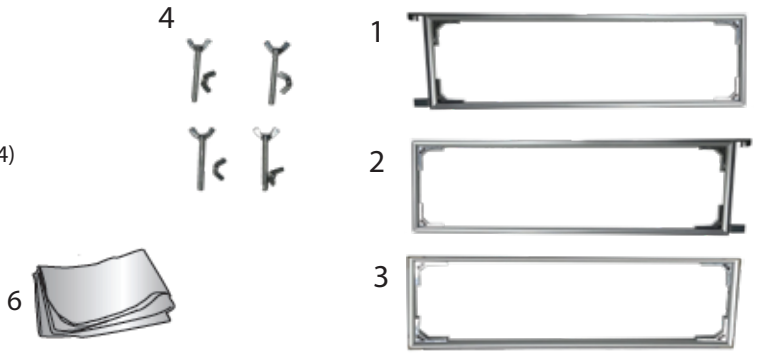


# Journey Header

## Product Parts

- 1. Header Left
- 2. Header Right
- 3. Header Middle
- 4. Wing Nut Screws (x4)
- 5. Graphic (x2)



## Display Set-up

### Step 1

Start by laying out the headers (1, 2, 3), matching the symbols on the ends of each piece to one another.



### Step 2

Line up the holes on each Header piece and attach using Wing Nut Screws (4).



### Step 3

Once the Header pieces are assembled attach the graphic following the graphic installation process.

### Step 4

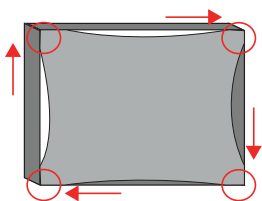
Place the Header on two Journey Walls by inserting the peg on top ends of Header into the holes on top ends of Walls (Walls Sold Separately).



## Graphic Installation Process

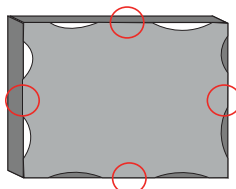
### Step 1

Start with the corners. Working in a clockwise motion insert each corner of the graphic into the frame.



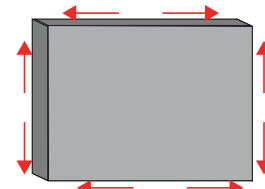
### Step 2

Move to the centers. Insert the centers of the graphic on each side of the frame.



### Step 3

Complete installation. Insert the remaining portions of the graphic into the frame starting from the center points and working your way to the corners.



## Storage & Care

Place all product parts into Carry Case and store in a cool dry location. To clean non-graphic hardware, wipe with a damp cloth.