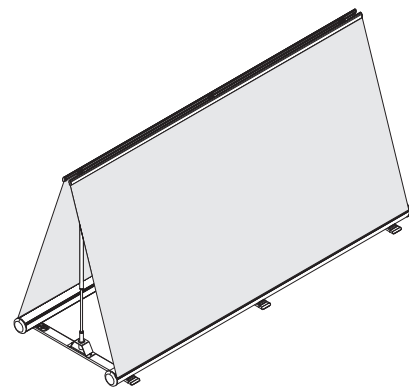
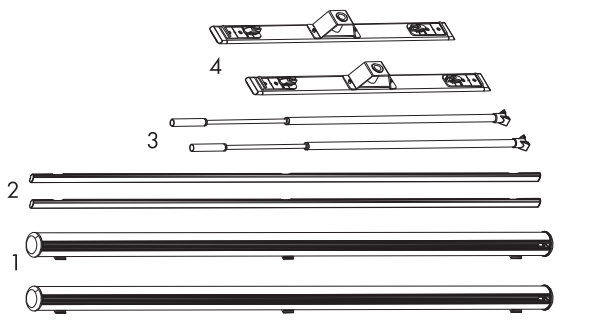


Outdoor A-Frame Retractor

Product Parts

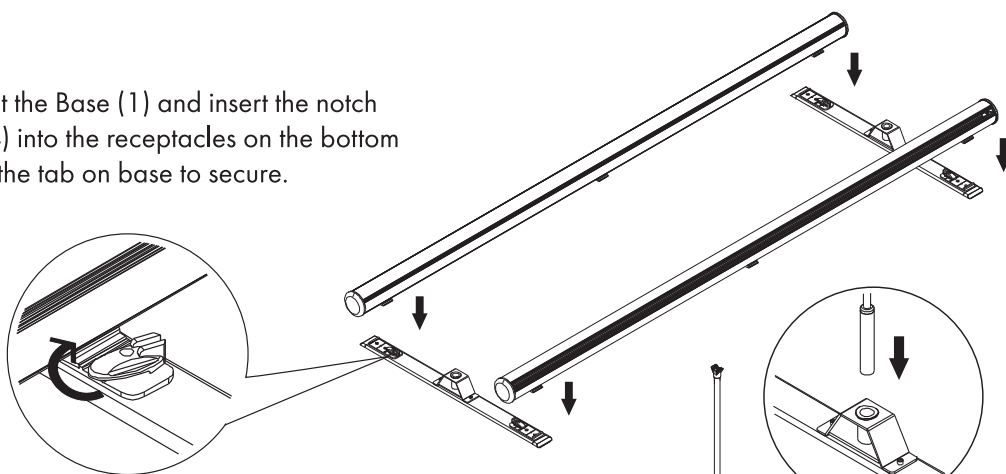
- 1 - Base (x2)
- 2 - Banner Rail (x2)
- 3 - Pole (x2)
- 4 - Foot (x2)



Display Set-Up

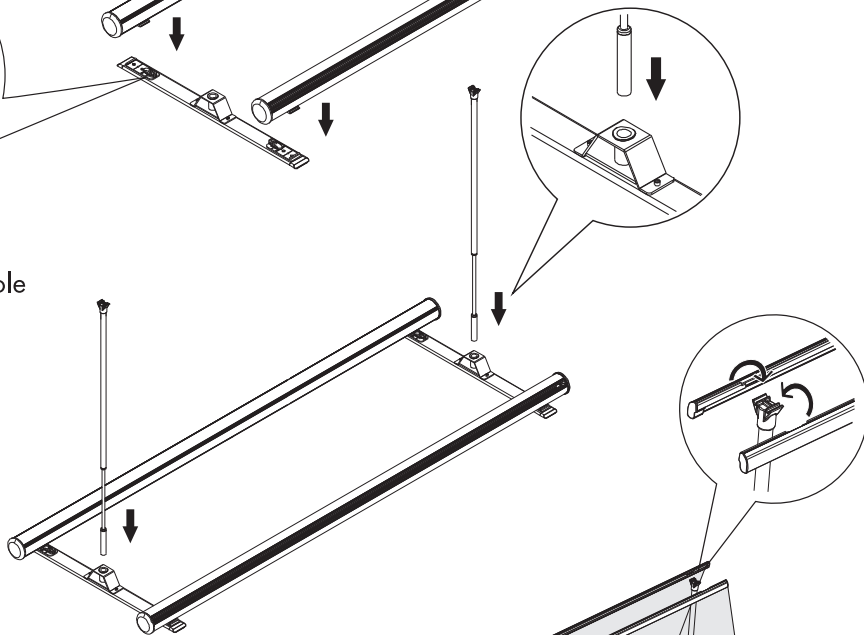
Step 1

Open the lock on Feet (4) to accept the Base (1) and insert the notch on the center of each of the Foot (4) into the receptacles on the bottom of the Base (1). Turn the locks over the tab on base to secure.



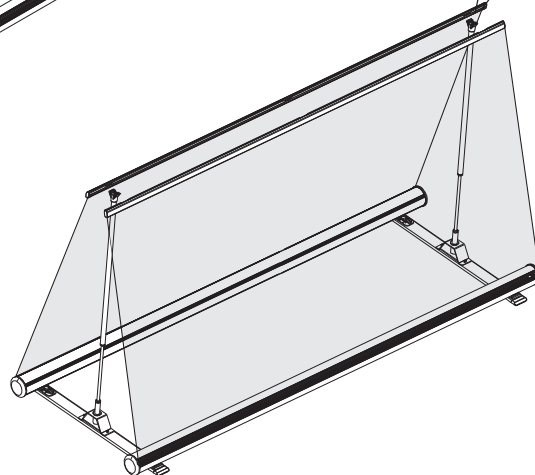
Step 2

Insert the Pole (3) into each receptacle on the Base (1). Pole should be completely seated.



Step 3

Gently pull out installed *graphic from Base (1) and align notch on Banner Rail (2) to top clip on Pole (3).



Storage and Care

Store in a cool dry location. To clean, wipe with damp cloth.

*Graphics are not replaceable.