

Fitted Throw Glo & LED Ladder Lights

Product Parts

- 1 - Ladder Light
- 2 - Protective Liner for Lights
- 3 - Magnetic Ring
(x6 for 6FT Table)
(x7 for 8FT Table)
- 4 - Power Adapter
- 5 - Plug in Cord
- 6 - Soft Carry Case
- 7 - Fitted Throw (Kit Only)

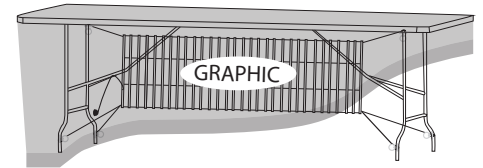
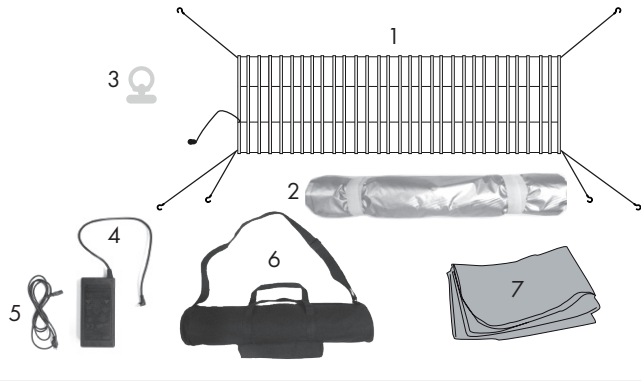
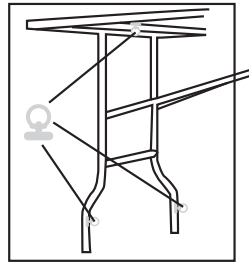


Table not included

Display Set-Up

Step 1

Attach Magnetic Rings (3), one to each leg near the bottom and one centered at top of leg support. For an 8 foot table use one Magnetic Ring (3) near the center of table for additional support of the Ladder Light (1).



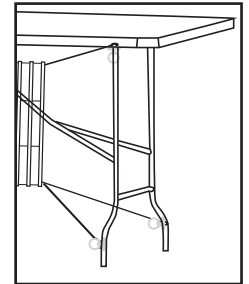
Step 2

Release hook and loop straps from the Protective Liner for Lights (2). Unroll and remove Ladder Light (1).



Step 3

Top of Ladder Light (1) has a single bungee with hook on each side, attach each to Magnetic Ring (3) at top of leg support. Next attach the double bungee with hook to the Magnetic Rings (3) near the bottom of each leg. Adjust position of Magnetic Rings (3) as needed for tautness of Ladder Light (1).



Step 4

Connect cord from Ladder Light (1) to Power Adapter (4). Then connect Plug in Cord (5) into the Power Adapter (4). Lastly plug into power source.

Step 5

Place your Fitted Throw (7)(Kit Only) over your table (not included). Intended for indoor use only.

Storage

Roll Ladder Light (1) into the Protective Liner (2), begin roll opposite the hook and loop. Secure with hook and loop and place into Soft Carry Case (6). Magnetic Rings (3) and Power (4/5) are stored in outer pouch of Carry Case.

Care

Spot clean with dry cloth for graphics.