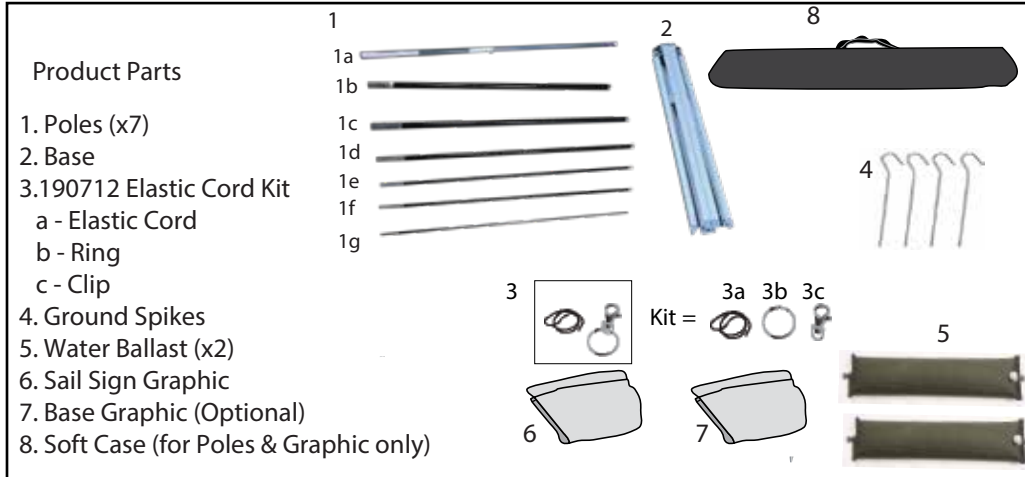


Ascent Sail Sign



Step 1

Begin by removing the poles from the carry case and the rest of the parts from the box and place them on a clean flat surface.

Assemble the Poles (1) together by inserting the Poles together starting with the Bottom Pole (1a) and connecting it to (1b).



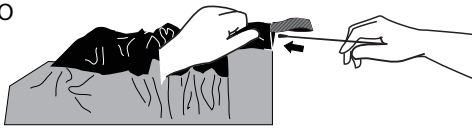
Step 2

Insert the remaining poles in order from Pole (1c) - Pole (1g).



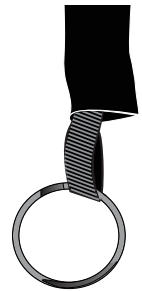
Step 3

Carefully insert the top end of the assembled Poles (1) into the pole pocket of the Sail Sign Graphic (6). Push the Pole (1) as far as it will go until it hits the end of the pole pocket. **DO NOT FORCEFULLY PUSH THE POLE OR IT COULD SNAP.**



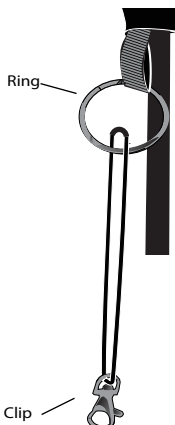
Step 4

Remove the Ring (3b) from the Clip (3c) on the Elastic Cord Kit (3). Connect the Ring (3b) to the webbing loop on the bottom end of your Fabric Graphic Pole Pocket (6).



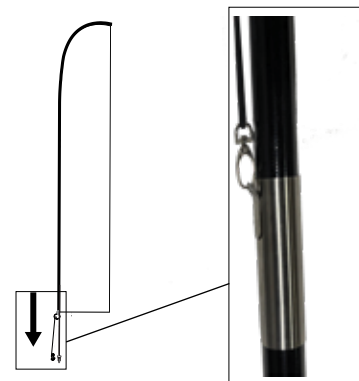
Step 5

Put one end of the Elastic Cord (3a) through the ring (3b). Tie other ends of Elastic Cord through hole on the clip (3c).



Step 6

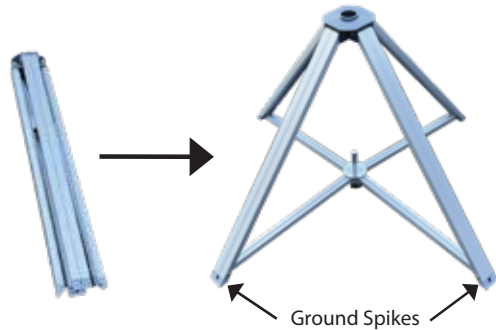
Using the Elastic Cord (3a) pull down the Sail Sign Graphic (6) on the pole to create the desired shape. Use the Clip (3c) to secure to metal hole located on the base of the Bottom Pole (1a).



Step 7

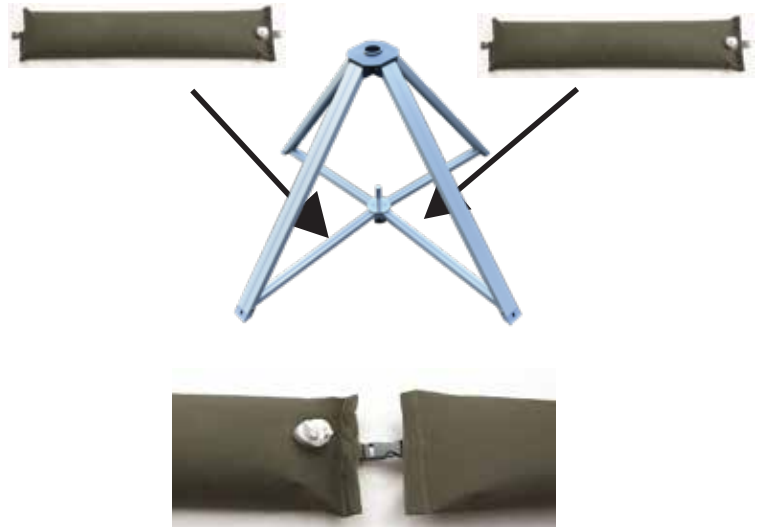
Unfold Base (2).

If using the Base (2) on grass, insert the included Ground Spikes (4) into the holes on the legs of the base.



Step 8

Fill the Water Ballasts (5) and place on inner frame of Ascent Base (2). Then snap Ballasts together.



Step 9 (Skip if not using Optional Base Graphic)

Slide the Base Graphic (7) over the top of the Ascent Base (2) and insert the legs of the Base into pockets sewn into the graphic.



Step 10

Insert the Bottom pole through the hole at the top of the Base (2) and onto the post at the bottom.



Storage & Care

Carry Case included for Poles & Graphic only. Store in a cool dry location.
To clean non-graphic hardware, wipe with a damp cloth.